

Switches



LTCS10001*A00

Type	LTCS 1000
Number of Poles	1 NO
Mounting Position	Horizontal - Vertical
Control Voltage Rating [V _{dc}]	24 ÷ 220
Auxiliary Contact Blocks	Max 2 (1 NO + 1 NC or 2 NO)
Block Type*	SL
Arc chute Material	Plastic
Contact tips material*	S6

* For details please refer to dedicated technical note

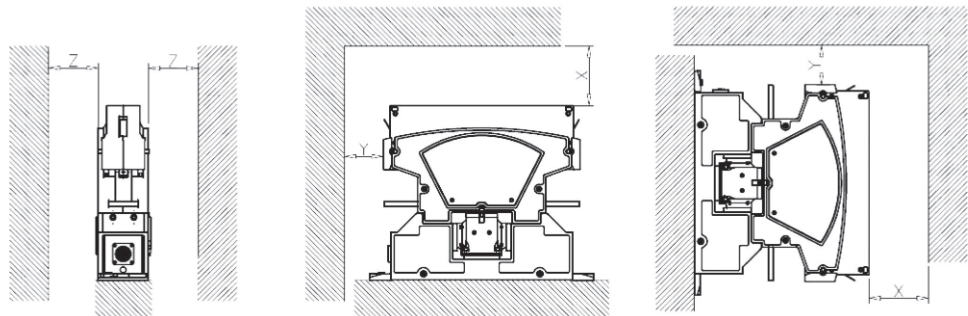
Description

Contactor with double interruption in air, electromagnetic control by double winding coil and arcing contacts. Single state functioning. Reference standard IEC 60077.

Electrical Characteristics

Rated Operational Voltage [V _{ac} / V _{dc}]	900
Max Operational Voltage [V _{ac} / V _{dc}]	1000
Rated Insulation Voltage [V]	1000
Conventional Free Air Thermal Current [A] at 75°C	1000
DC-Rated Operational Current (τ=15ms) [A]	
900V	600
DC-Maximum Breaking Capacity (τ=15ms) [A]	
900V	1500
AC-Maximum Breaking Capacity (cosφ=0,8; 50Hz) [A]	
1000V	1500
Component Category / Operational Frequency Class	A2 / C3
Short Circuit Withstand Capacity for 5ms [kA]	20
Critical Current Range [A]	NONE
Fault Making Capacity [kA]	12
Blow Out Circuit Type	Indirect

Minimum clearances
from metal parts [mm]
X = 330; Y = 100 ; Z = 30



Microelettrica Scientifica

Switches

LTCS10001*A00

Mechanical Characteristics

Mechanical Endurance (cycles)	2x10 ⁶
Shock and Vibrations (IEC61373)	Cat.1 - Class B
Weight [kg]	9

Control Circuit

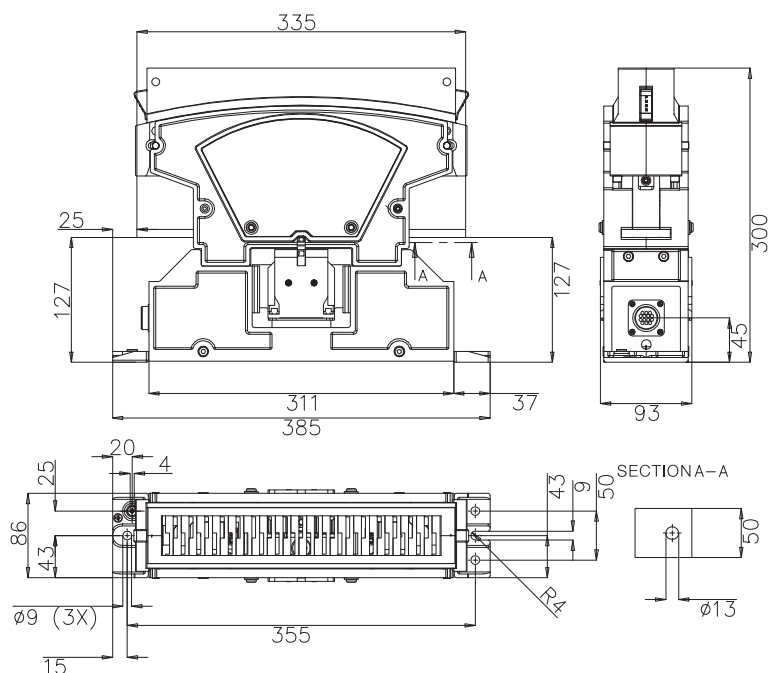
Control Voltage Range	0.7U _c ÷ 1.25U _c
Power Consumption (U _c and T = 20°C) at Pick Up - when Holding [W]	300 - 10
Mechanical Operation Time (U _c and T = 20°C) when Closing - Opening [ms]	150 - 40
Time Constant (L/R) at Pick Up - when Holding [ms]	10 - 115
Electrical Connections	Burndy connector 12 pins

Auxiliary Contacts

Tips material	Solid Silver (Gold plating opt)
Rated Operational Voltage [V _{ac} / V _{dc}]	250
Rated Current [A]	10
Minimum Switching Current at 16V _{dc} [mA]	20
Electrical Connections	Fast-on 6.35 x 0.8mm (screw M4 opt.)

Environmental Conditions

Stock Temperature Range	-50°C ÷ +85°C
Operational Temperature Range	-40°C ÷ +75°C
Pollution Degree - Overvoltage Category (EN 50124-1)	PD3 - OV3
Max Altitude without Performance Derating [m]	1500



Rev.00 02/2013

bitsadv.com



KNORR-BREMSE



Microelettrica Scientifica

Microelettrica Scientifica S.p.A. - 20090 Buccinasco (MI) - V. Lucania, 2 - Italy
Tel. +39 02 575731 - Fax +39 02 57510940 - E-Mail: info@microelettrica.com