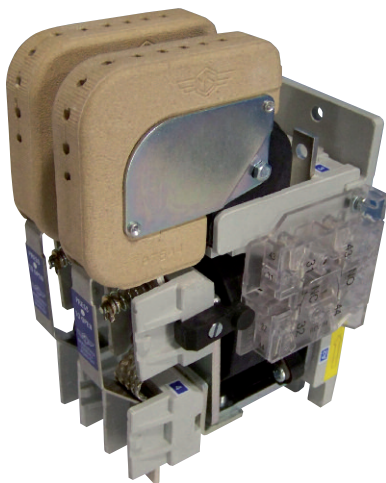


Switches



LTHS00602*A00

Type	LTHS 60
Number of Poles	2 NO
Mounting Position	Horizontal - Vertical
Control Voltage Rating [V _{dc}]	12 ÷ 500
Auxiliary Contact Blocks	Max 4 x (1 NO + 1 NC or 2 NO)
Block Type*	SK - SL
Arc chute Material	Ceramic
Contact Tips Material*	S6

* For details please refer to dedicated technical note

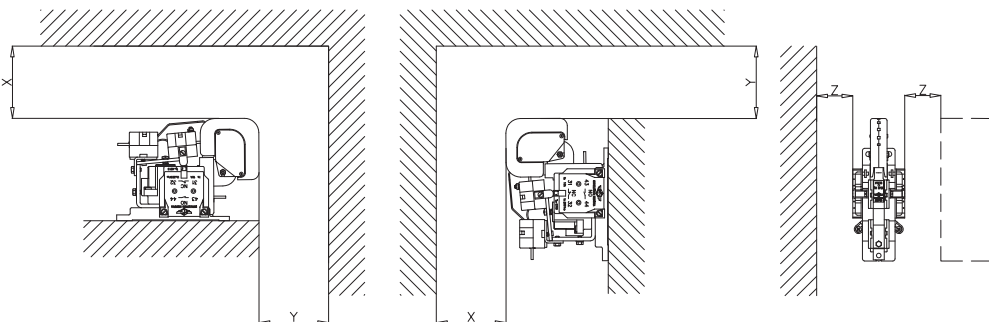
Description

Contactor with single interruption in air, electromagnetic control by full power coil. Single state functioning. Reference standard IEC 60077.

Electrical Characteristics

Rated Operational Voltage [V _{ac} / V _{dc}]	750	
Max Operational Voltage [V _{ac} / V _{dc}]	1000	
Rated Insulation Voltage [V]	1000	
	Series Connected	Parallel Connected
Conventional Free Air Thermal Current [A] at 75°C	60	120
DC-Rated Operational Current (τ=15ms) [A]		
750V	130	60
400V	250	115
DC-Maximum Breaking Capacity (τ=15ms) [A]		
750V	220	100
400V	420	190
AC-Maximum Breaking Capacity (cosφ=0,8; 50Hz) [A]		
750V	240	110
400V	450	200
Short Circuit Withstand Capacity for 5ms [kA]	3	5
Critical Current Range [A]	<3 at 750 V _{dc}	<5 at 750 V _{dc}
Fault Making Capacity [kA]	1.8	3
Component Category / Operational Frequency Class	A2 / C3	
Blow Out Circuit Type	Indirect	

Minimum clearances
from metal parts [mm]
X = 75; Y = 75 ; Z = 30



Switches

LTHS00602*A00

Mechanical Characteristics

Mechanical Endurance (cycles)	2x10 ⁶
Shock and Vibrations (IEC61373)	Cat.1 - Class B
Weight [kg]	2.7

Control Circuit

Control Voltage Range	0.7U _c ÷ 1.25U _c
Power Consumption (U _c and T = 20°C) at Pick Up - when Holding [W]	16 - 16
Mechanical Operation Time (U _c and T = 20°C) when Closing - Opening [ms]	85 - 20
Time Constant (L/R) at Pick Up - when Holding [ms]	40 - 50
Electrical Connections	Fast-On 6.35x0.8mm - Screw M4

Auxiliary Contacts

Tips material	Solid Silver (Gold plating opt)
Rated Operational Voltage [V _{ac} / V _{dc}]	250
Rated Current [A]	10 (RK=0.5)
Minimum Switching Current at 16V _{dc} [mA]	20
Electrical Connections	Fast-On 6.35x0.8mm - Screw M4

Environmental Conditions

Stock Temperature Range	-50°C ÷ +85°C
Operational Temperature Range	-40°C ÷ +75°C
Pollution Degree - Overvoltage Category (EN 50124-1)	PD3 / OV3
Max Altitude without Performance Derating [m]	1500

