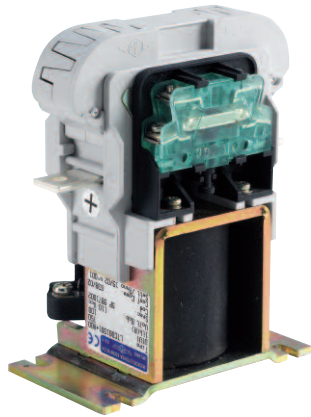


Switches



LTC001001*A00

Type	LTCS 100
Number of Poles	1 NO
Mounting Position	Horizontal - Vertical
Control Voltage Rating [V _{dc}]	14 ÷ 250
Auxiliary Contact Blocks	Max 2 (1 NO + 1 NC)
Block Type	SJ
Arc chute Material	Polyester Resin
Contact tips material	S6

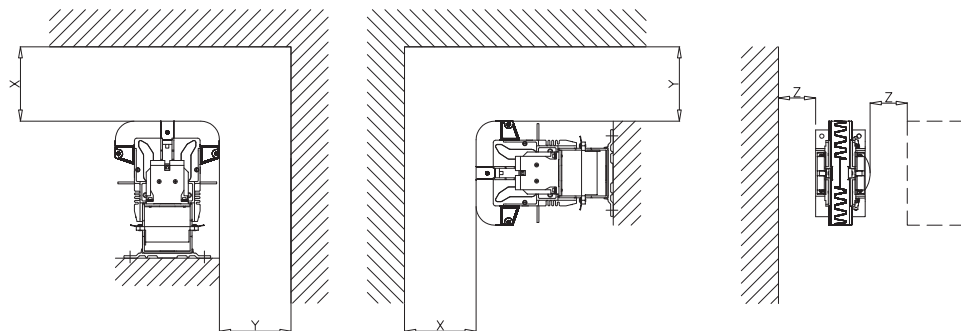
Description

Contactor with double interruption in air, electromagnetic control by full power coil. Single state functioning.
Reference standard IEC 60077.

Electrical Characteristics

Rated Operational Voltage [V _{ac} / V _{dc}]	750
Max Operational Voltage [V _{ac} / V _{dc}]	1000
Rated Insulation Voltage [V]	1000
Conventional Free Air Thermal Current [A] at 75°C	80
DC-Rated Operational Current (τ=15ms) [A]	
750V	20
400V	40
DC-Maximum Breaking Capacity (τ=15ms) [A]	
750V	30
400V	60
AC-Maximum Breaking Capacity (cosφ=0,8; 50Hz) [A]	
750V	40
400V	80
Component Category / Operational Frequency Class	A2 / C3
Short Circuit Withstand Capacity for 5ms [kA]	1.5
Critical Current Range [A]	DC Reverse current
Fault Making Capacity [kA]	0.9
Blow Out Circuit Type	Permanent Magnet

Minimum clearances
from metal parts [mm]
X = 80; Y = 80 ; Z = 20



Switches

LTC001001*A00

Mechanical Characteristics

Mechanical Endurance (cycles)	2x10 ⁶
Shock and Vibrations (IEC61373)	Cat.1 - Class B
Weight [kg]	1.1

Control Circuit

Control Voltage Range	0.7U _c ÷ 1.25U _c
Power Consumption (U _c and T = 20°C) at Pick Up - when Holding [W]	18 - 18
Mechanical Operation Time (U _c and T = 20°C) when Closing - Opening [ms]	40 - 20
Time Constant (L/R) at Pick Up - when Holding [ms]	25 - 50
Electrical Connections	Fast-On 6.35x0.8mm - Screw M4

Auxiliary Contacts

Tips material	Solid Silver (Gold plating opt)
Rated Operational Voltage [V _{ac} / V _{dc}]	250
Rated Current [A]	10
Minimum Switching Current at 16V _{dc} [mA]	20
Electrical Connections	Fast-On 6.35x0,8mm - Screw M3

Environmental Conditions

Stock Temperature Range	-50°C ÷ +85°C
Operational Temperature Range	-40°C ÷ +75°C
Pollution Degree - Overvoltage Category (EN 50124-1)	PD3 - OV3
Max Altitude without Performance Derating [m]	1500

