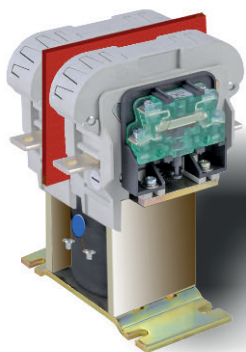


Switches



LTC001002*A01

Type	LTCS 100
Number of Poles	2 NO
Mounting Position	Horizontal - Vertical
Control Voltage Rating [V _{dc}]	14 ÷ 250
Auxiliary Contact Blocks	Max 2 x (1 NO + 1 NC)
Block Type	SJ
Arc chute Material	Polyester Resin
Contact Tips Material	S6

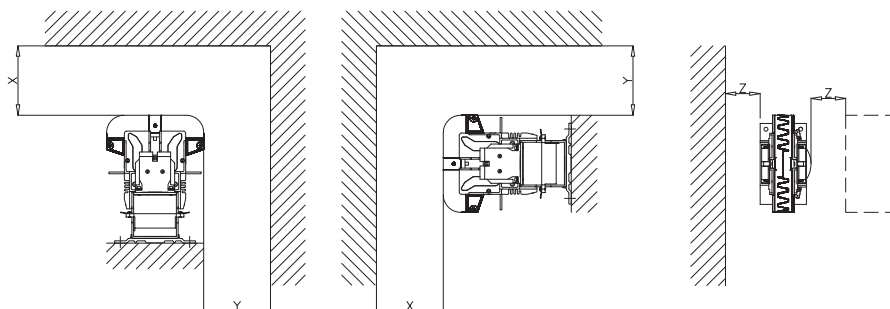
Description

Contactor with double interruption in air, electromagnetic control by full power coil. Single state functioning.
Reference standard IEC 60077.

Electrical Characteristics

Rated Operational Voltage [V _{ac} / V _{dc}]	750	
Max Operational Voltage [V _{ac} / V _{dc}]	1000	
Rated Insulation Voltage [V]	1000	
	Series Connected	Parallel Connected
Conventional Free Air Thermal Current [A] at 75°C	80	160
DC-Rated Operational Current (τ=15ms) [A]		
750V	36	20
400V	72	40
DC-Maximum Breaking Capacity (τ=15ms) [A]		
750V	50	30
400V	100	60
AC-Maximum Breaking Capacity (cosφ=0,8; 50Hz) [A]		
750V	60	40
400V	120	80
Short Circuit Withstand Capacity for 5ms [kA]	1.5	3
Critical Current Range [A]	Reverse Current	Reverse Current
Fault Making Capacity [kA]	0.9	1.8
Component Category / Operational Frequency Class	A2 / C3	
Blow Out Circuit Type	Permanent Magnet	

Minimum clearances
from metal parts [mm]
X = 80; Y = 80 ; Z = 20



Switches

LTC001002*A01

Mechanical Characteristics

Mechanical Endurance (cycles)	2x10 ⁶
Shock and Vibrations (IEC61373)	Cat.1 - Class B
Weight [kg]	2

Control Circuit

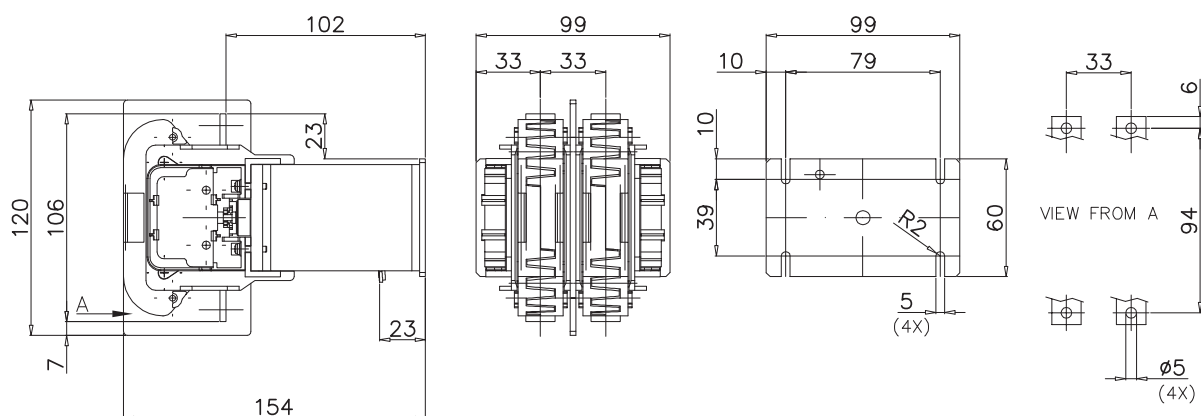
Control Voltage Range	0.7U _c ÷ 1.25U _c
Power Consumption (U _c and T = 20°C) at Pick Up - when Holding [W]	24 - 24
Mechanical Operation Time (U _c and T = 20°C) when Closing - Opening [ms]	50 - 20
Time Constant (L/R) at Pick Up - when Holding [ms]	70 - 125
Electrical Connections	Fast-On 6.35x0.8mm - Screw M4

Auxiliary Contacts

Tips material	Solid Silver (Gold plating opt)
Rated Operational Voltage [V _{ac} / V _{dc}]	250
Rated Current [A]	10
Minimum Switching Current at 16V _{dc} [mA]	20
Electrical Connections	Fast-On 6.35x0.8mm - Screw M3

Environmental Conditions

Stock Temperature Range	-50°C ÷ +85°C
Operational Temperature Range	-40°C ÷ +75°C
Pollution Degree - Overvoltage Category (EN 50124-1)	PD3 / OV3
Max Altitude without Performance Derating [m]	1500



Rev.03 10/2012

bitsadv.com