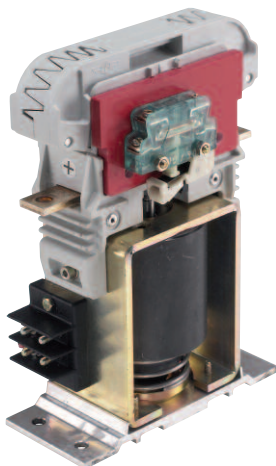


Switches



LTC002501*B02

Type	LTCS 250 or LTCH 250
Number of Poles	1 NC
Mounting Position	Horizontal or Vertical
Control Voltage Rating [V _{dc}]	12 ÷ 220
Auxiliary Contact Blocks	Max 2 x (1 NO + 1 NC)
Block Type*	SJ - LJ
Arc chute type	Polyester Resin - Ceramic
Contact tips material*	S6

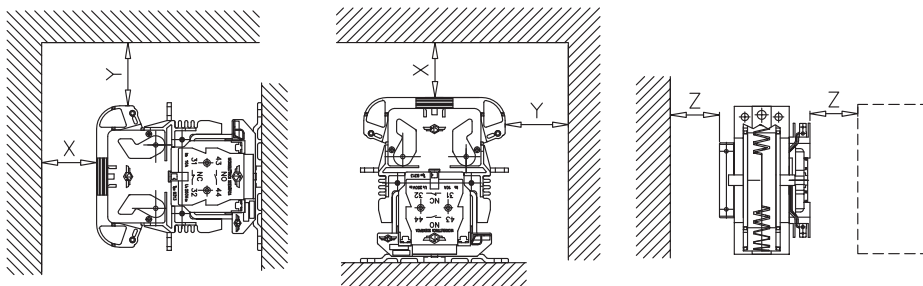
* For details please refer to dedicated technical note

Description

Contactor with double interruption in air, electromagnetic control by full power coil. Single state functioning.
Reference standard IEC 60077.

Electrical Characteristics		
Rated Operational Voltage [V _{ac} / V _{dc}]	1500	
Max Operational Voltage [V _{ac} / V _{dc}]	2000	
Rated Insulation Voltage [V]	2000	
Conventional Free Air Thermal Current [A] at 75°C	200	
DC-Rated Operational Current (τ=15ms) [A]	Polyester Resin arc chute	Ceramic arc chute
1500V	20	25
750V	80	120
DC-Maximum Breaking Capacity (τ=15ms) [A]		
1500V	30	40
750V	160	180
AC-Maximum Breaking Capacity (cosφ=0,8; 50Hz) [A]		
1500V	40	50
750V	260	320
Component Category / Operational Frequency Class	A2 / C3	
Short Circuit Withstand Capacity for 5ms [kA]	4	
Critical Current Range [A]	DC Reverse current	
Fault Making Capacity [kA]	2.4	
Blow Out Circuit Type	Permanent Magnet	

Minimum clearances
from metal parts [mm]
X = 120; Y = 120; Z = 30



Switches

LTC002501*B02

Mechanical Characteristics

Mechanical Endurance (cycles)	2x10 ⁶
Shock and Vibrations (IEC61373)	Cat.1 - Class B
Weight [kg]	2.5

Control Circuit

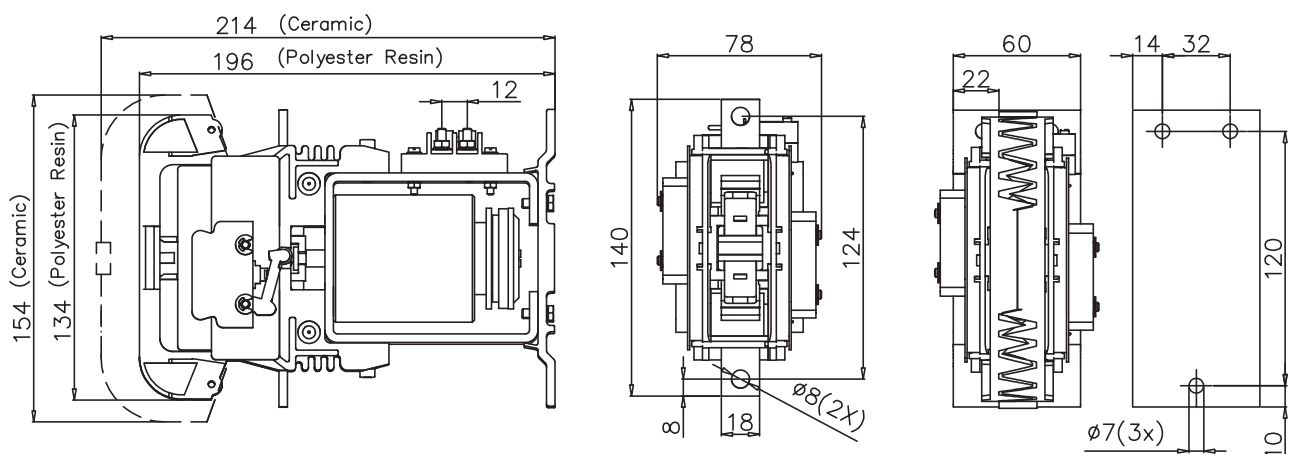
Control Voltage Range	0.7U _c ÷ 1.25U _c
Power Consumption (U _c and T = 20°C) at Pick Up - when Holding [W]	25 - 25
Mechanical Operation Time (U _c and T = 20°C) when Closing - Opening [ms]	50 - 20
Time Constant (L/R) at Pick Up - when Holding [ms]	25 - 70
Electrical Connections	Fast-On 6.35x0.8mm - Screw M4

Auxiliary Contacts

Tips material	Solid Silver (Gold plating opt)
Rated Operational Voltage [V _{ac} / V _{dc}]	250
Rated Current [A]	10
Minimum Switching Current at 16V _{dc} [mA]	20
Electrical Connections	Fast-On 6.35x0.8mm - Screw M4

Environmental Condition

Stock Temperature Range	-50°C ÷ +85°C
Operational Temperature Range	-40°C ÷ +75°C
Pollution Degree - Overvoltage Category (EN 50124-1)	PD3 - OV3
Max Altitude without Performance Derating [m]	1500



Rev.02 10/2012

bitsadv.com