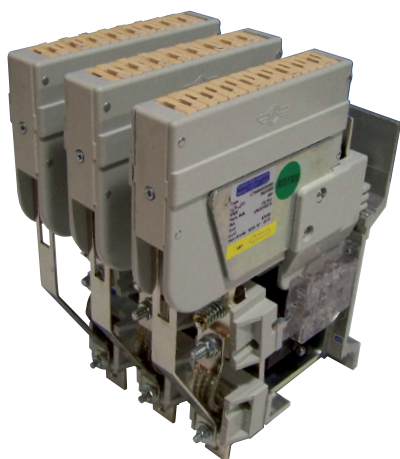


Switches



LTHS03203HFO0

Type	LTHF 320
Number of Poles	3 NO
Mounting Position	Horizontal 20°
Control Voltage Rating [V _{dc}]	24
Auxiliary Contact Blocks	2 (1 NO + 1 NC)
Block Type*	SK - SL
Arc chute Material	Ceramic
Contact tips material*	S6

* For details please refer to dedicated technical note

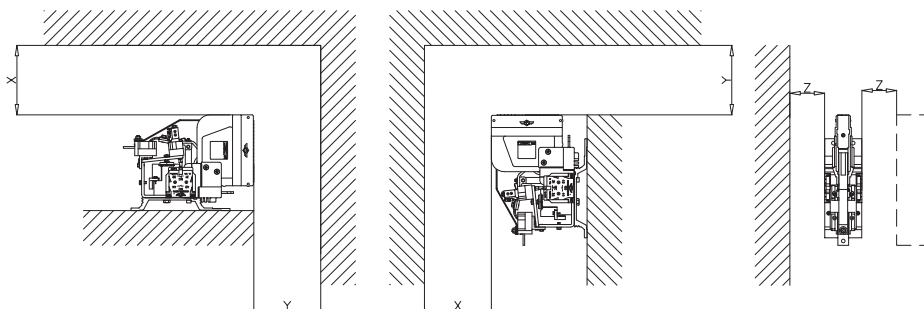
Description

Contactor 3-phase with single interruption in air, electromagnetic control by full power coil. Single state functioning. Special execution for frequency up to 400Hz and short circuit interruption capabilities. Reference Standard IEC 60077.

Electrical Characteristics

Rated Operational Voltage [V _{ac} / V _{dc}]	1500
Max Operational Voltage [V _{ac} / V _{dc}]	2000
Rated Insulation Voltage [V]	2000
Conventional Free Air Thermal Current [A] at 75°C	300
DC-Rated Operational Current (τ=15ms) [A]	
1500V	-
750V	-
DC-Maximum Breaking Capacity (τ=15ms) [A]	
1500V	-
750V	-
AC-Maximum Breaking Capacity (cosφ=0,8; 50Hz) [kVA]	
1500V	900
750V	1200
Component Category / Operational Frequency Class	A2 / C3
Short Circuit Withstand Capacity for 5ms [kA]	8
Critical Current Range [A]	NONE
Fault Making Capacity [kA]	4.8
Blow Out Circuit Type	Indirect with arcing contact

Minimum clearances
from metal parts [mm]
X = 200; Y = 80 ; Z = 30



Switches

LTHS03203HFO0

Mechanical Characteristics

Mechanical Endurance (cycles)	2x10 ⁶
Shock and Vibrations (IEC61373)	Cat.1 - Class B
Weight [kg]	13

Control Circuit

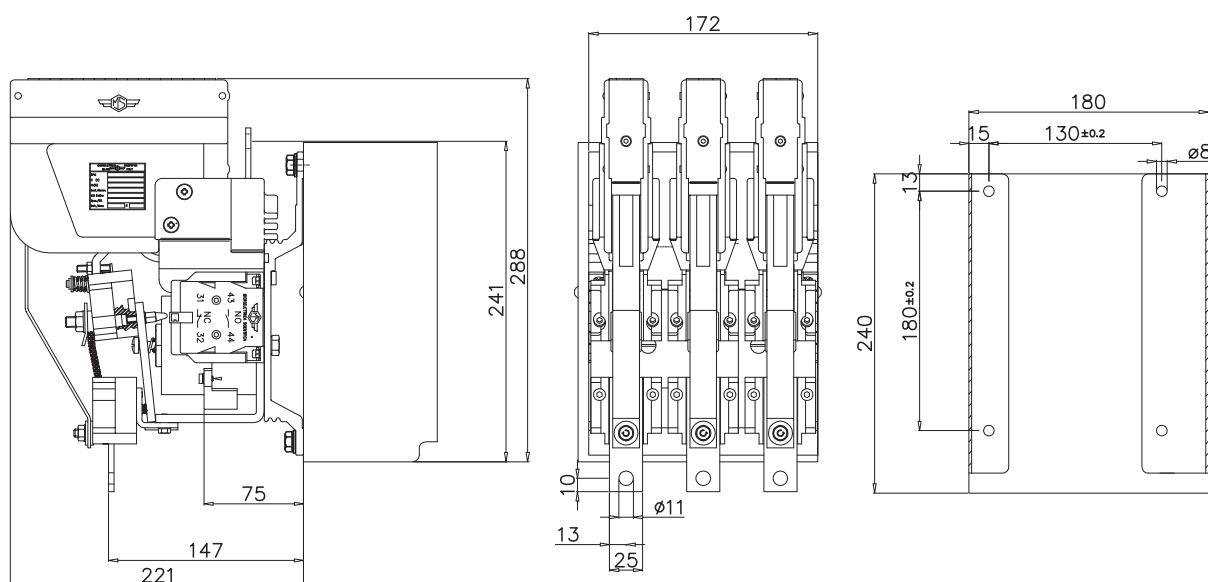
Control Voltage Range	0.7U _c ÷ 1.25U _c
Power Consumption (U _c and T = 20°C) at Pick Up - when Holding [W]	50 - 50
Mechanical Operation Time (U _c and T = 20°C) when Closing - Opening [ms]	110 - 30
Time Constant (L/R) at Pick Up - when Holding [ms]	60 - 80
Electrical Connections	Screw M4

Auxiliary Contacts

Tips material	Solid Silver
Rated Operational Voltage [V _{ac} / V _{dc}]	250
Rated Current [A]	10
Minimum Switching Current at 16V _{dc} [mA]	20
Electrical Connections	Fast-On 6.35x0.8mm

Environmental Conditions

Stock Temperature Range	-50°C ÷ +85°C
Operational Temperature Range	-40°C ÷ +75°C
Pollution Degree - Overvoltage Category (EN 50124-1)	PD3 - OV3
Max Altitude without Performance Derating [m]	1500



Rev.02 06/2011

bitsadv.com