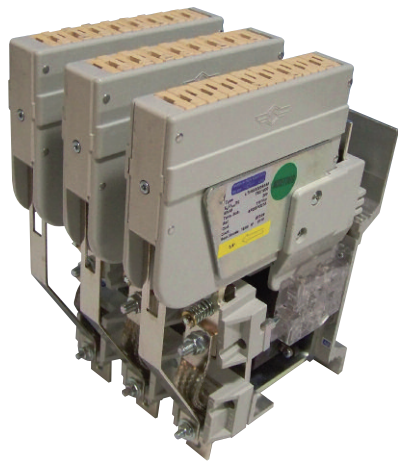


Switches



LTHS03803*A00

Type	LTHS 380
Number of Poles	3 NO
Mounting Position	Horizontal - Vertical
Control Voltage Rating [V _{dc}]	24 - 72 - 110 - 220
Auxiliary Contact Blocks	Max 4 x (1 NO + 1 NC or 2 NO)
Block Type	SL
Arc chute Material	Ceramic
Contact tips material	S6

Description

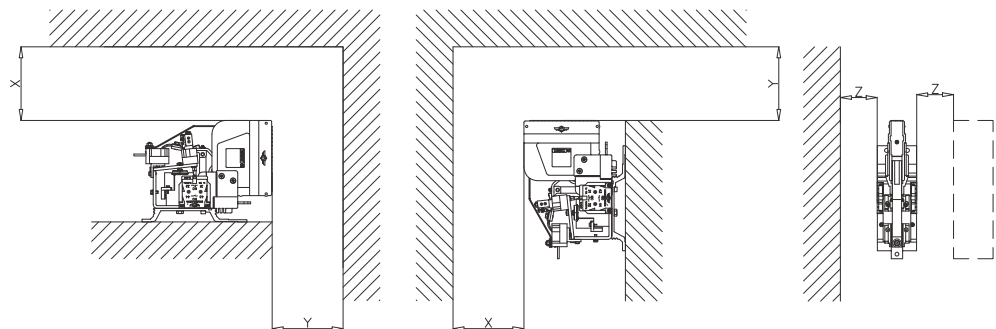
Contact with single interruption in air, electromagnetic control by full power coil. Single state functioning.

Reference Standard IEC 60077.

Electrical Characteristics

Rated Operational Voltage [V _{ac} / V _{dc}]	1500
Max Operational Voltage [V _{ac} / V _{dc}]	2000
Rated Insulation Voltage [V]	2000
Conventional Free Air Thermal Current [A] at 75°C	350
DC-Rated Operational Current (τ=15ms) [A]	
1500V	-
750V	-
DC-Maximum Breaking Capacity (τ=15ms) [A]	
1500V	-
750V	-
AC-Maximum Breaking Capacity (cosφ=0,8; 50Hz) [kVA]	
1500V	900
750V	1200
Component Category / Operational Frequency Class	A2 / C3
Short Circuit Withstand Capacity for 5ms [kA]	8
Critical Current Range [A]	NONE
Fault Making Capacity [kA]	4.8
Blow Out Circuit Type	Indirect with arcing contact

Minimum clearances
from metal parts [mm]
X = 200; Y = 80 ; Z = 30



Switches

LTHS03803*A00

Mechanical Characteristics

Mechanical Endurance (cycles)	2x10 ⁶
Shock and Vibrations (IEC61373)	Cat.1 - Class B
Weight [kg]	4.8

Control Circuit

Control Voltage Range	0.7U _c ÷ 1.25U _c
Power Consumption (U _c and T = 20°C) at Pick Up - when Holding [W]	25 - 25
Mechanical Operation Time (U _c and T = 20°C) when Closing - Opening [ms]	110 - 30
Time Constant (L/R) at Pick Up - when Holding [ms]	60 - 80
Electrical Connections	Fast-On 6.35x0.8mm - Screw M4

Auxiliary Contacts

Tips material	Solid Silver (Gold plating opt)
Rated Operational Voltage [V _{ac} / V _{dc}]	250
Rated Current [A]	10 (RK= 0.5)
Minimum Switching Current at 16V _{dc} [mA]	20
Electrical Connections	Fast-On 6.35x0.8mm - Screw M4

Environmental Conditions

Stock Temperature Range	-50°C ÷ +85°C
Operational Temperature Range	-40°C ÷ +75°C
Pollution Degree - Overvoltage Category (EN 50124-1)	PD3 - OV3
Max Altitude without Performance Derating [m]	1500

