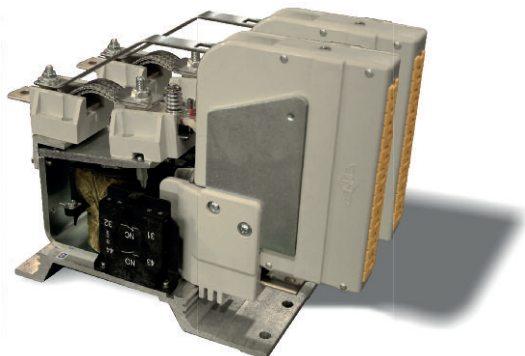


Switches



LTHS03802*A00

Type	LTHS 380
Number of Poles	2 NO
Mounting Position	Horizontal - Vertical
Control Voltage Rating [V _{dc}]	16 ÷ 220
Auxiliary Contact Blocks	Max 4 x (1 NO + 1 NC or 2 NO)
Block Type*	SL
Arc chute Material	Ceramic
Contact Tips Material*	S6

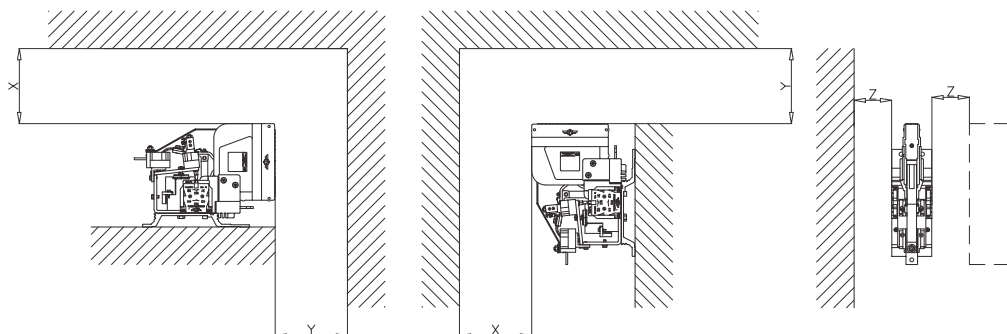
* For details please refer to dedicated technical note

Description

Contactor with single interruption in air, electromagnetic control by full power coil. Single state functioning. Reference standard IEC 60077.

Electrical Characteristics		
Rated Operational Voltage [V _{ac} / V _{dc}]	1500	
Max Operational Voltage [V _{ac} / V _{dc}]	2000	
Rated Insulation Voltage [V]	2000	
	Series Connected	Parallel Connected
Conventional Free Air Thermal Current [A] at 75°C	380	720
DC-Rated Operational Current (τ=15ms) [A]		
1500V	350	–
750V	750	360
DC-Maximum Breaking Capacity (τ=15ms) [A]		
1500V	660	–
750V	1500	700
AC-Maximum Breaking Capacity (cosφ=0,8; 50Hz) [A]		
1500V	400	–
750V	1000	480
Short Circuit Withstand Capacity for 5ms [kA]	8	10
Critical Current Range [A]	NONE	NONE
Fault Making Capacity [kA]	4.8	6
Component Category / Operational Frequency Class	A2 / C3	
Blow Out Circuit Type	Indirect	

Minimum clearances
from metal parts [mm]
X = 60; Y = 210 ; Z = 30



Switches

LTHS03802*A00

Mechanical Characteristics

Mechanical Endurance (cycles)	2x10 ⁶
Shock and Vibrations (IEC61373)	Cat.1 - Class B
Weight [kg]	8.5

Control Circuit

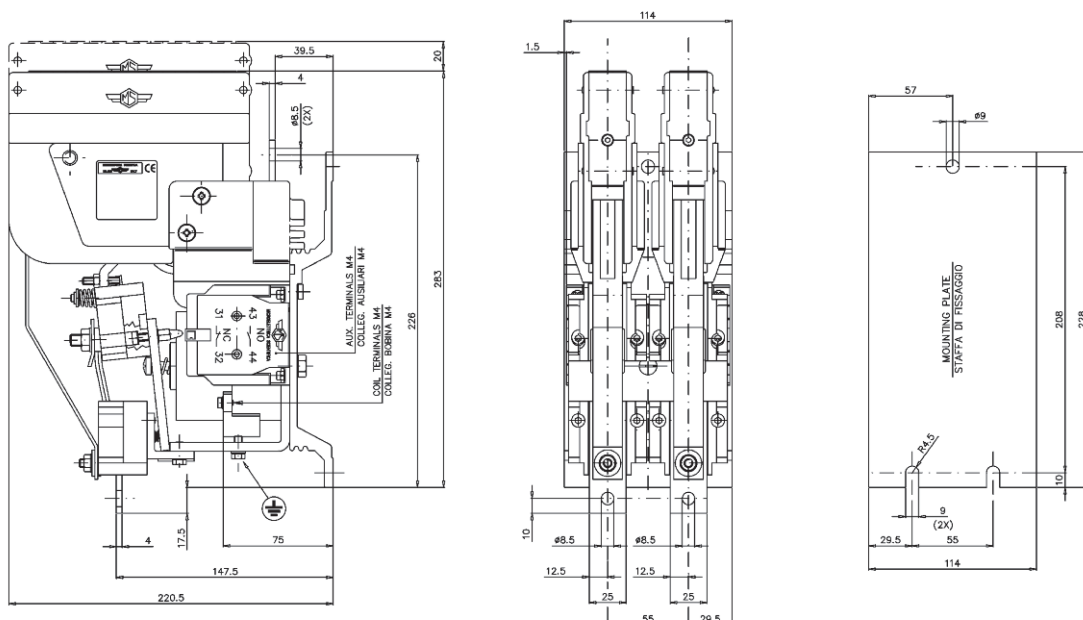
Control Voltage Range	0.7U _c ÷ 1.25U _c
Power Consumption (U _c and T = 20°C) at Pick Up - when Holding [W]	32 - 32
Mechanical Operation Time (U _c and T = 20°C) when Closing - Opening [ms]	110 - 32
Time Constant (L/R) at Pick Up - when Holding [ms]	75 - 90
Electrical Connections	Fast-On 6.35x0.8mm - Screw M4

Auxiliary Contacts

Tips material	Solid Silver (Gold plating opt)
Rated Operational Voltage [V _{ac} / V _{dc}]	250
Rated Current [A]	10
Minimum Switching Current at 16V _{dc} [mA]	20
Electrical Connections	Fast-On 6.35x0.8mm - Screw M4

Environmental Conditions

Stock Temperature Range	-50°C ÷ +85°C
Operational Temperature Range	-40°C ÷ +75°C
Pollution Degree - Overvoltage Category (EN 50124-1)	PD3 / OV3
Max Altitude without Performance Derating [m]	1500



Rev.02 08/2012

bitsadv.com