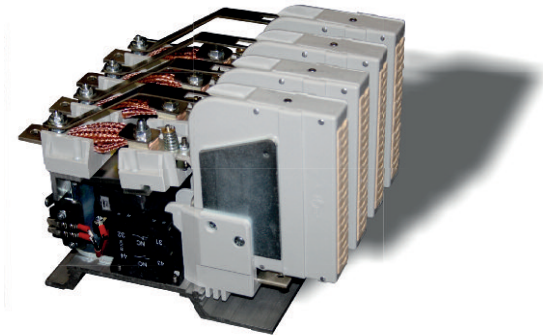


Switches

LTHS03804RA70



Type	LTHS 380
Number of Poles	4 NO
Mounting Position	Horizontal
Control Voltage Rating [V _{dc}]	24 ÷ 220
Auxiliary Contact Blocks	Max 4 x (1 NO + 1 NC or 2 NO)
Block Type*	SL
Arc chute Material	Ceramic
Contact Tips Material*	S6
Overall Dim. Drawing	D51911
Electrical Diagram	SC27288

* For details please refer to dedicated technical note

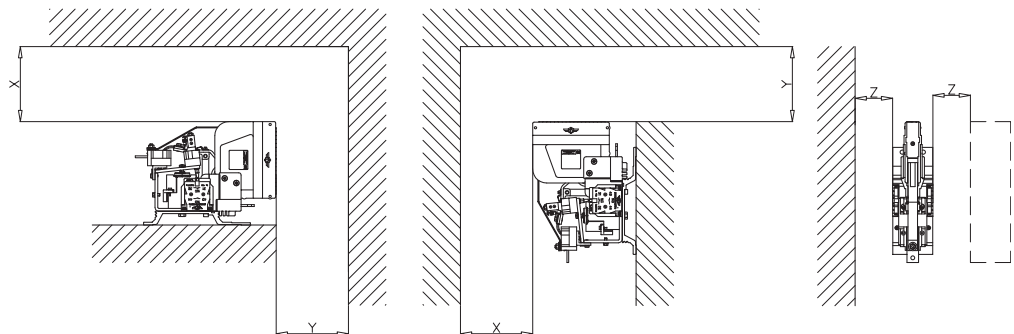
Description

Contactors with single interruption in air, electromagnetic control by full power coil. Single state functioning. Reference standard IEC 60077.

Electrical Characteristics

Rated Operational Voltage [V _{ac} / V _{dc}]	1500
Max Operational Voltage [V _{ac} / V _{dc}]	2000
Rated Insulation Voltage [V]	2000
Conventional Free Air Thermal Current [A] at 75°C	380
DC-Rated Operational Current (τ=15ms) [A]	-
1500V	-
750V	-
DC-Maximum Breaking Capacity (τ=15ms) [A]	-
1500V	-
750V	-
AC-Maximum Breaking Capacity (cosφ=0,8; 50Hz) [A]	-
1500V	660
750V	1500
Short Circuit Withstand Capacity for 5ms [kA]	8
Critical Current Range [A]	NONE
Fault Making Capacity [kA]	4.8
Component Category / Operational Frequency Class	A2 / C3
Blow Out Circuit Type	Indirect

Minimum clearances
from metal parts [mm]
X = 30; Y = 120; Z = 30



Switches

LTHS03804RA70

Mechanical Characteristics

Mechanical Endurance (cycles)	2x10 ⁶
Shock and Vibrations (IEC61373)	Cat.1 - Class B
Weight [kg]	17.5

Control Circuit

Control Voltage Range	0.7U _c ÷ 1.25U _c
Power Consumption (U _c and T = 20°C) at Pick Up - when Holding [W]	64 - 24
Mechanical Operation Time (U _c and T = 20°C) when Closing - Opening [ms]	110 - 32
Time Constant (L/R) at Pick Up - when Holding [ms]	75 - 90
Electrical Connections	Fast-On 6.35x0.8mm - Screw M4

Auxiliary Contacts

Tips material	Solid Silver (Gold plating opt)
Rated Operational Voltage [V _{ac} / V _{dc}]	250
Rated Current [A]	10
Minimum Switching Current at 16V _{dc} [mA]	10
Electrical Connections	Fast-On 6.35x0.8mm - Screw M4

Environmental Conditions

Stock Temperature Range	-50°C ÷ +85°C
Operational Temperature Range	-40°C ÷ +75°C
Pollution Degree - Overvoltage Category (EN 50124-1)	PD3 / OV3
Max Altitude without Performance Derating [m]	1500

