

# Switches



## LTHS08002\*A03

Type	LTHS 800
Number of Poles	2 NO
Mounting Position	Horizontal - Vertical
Control Voltage Rating [V <sub>dc</sub> ]	12 ÷ 340
Auxiliary Contact Blocks	Max 4 x (1 NO + 1 NC or 2 NO)
Block Type*	SK - SL - LP - RK
Arc chute Material	Ceramic
Contact Tips Material*	S6

\* For details please refer to dedicated technical note

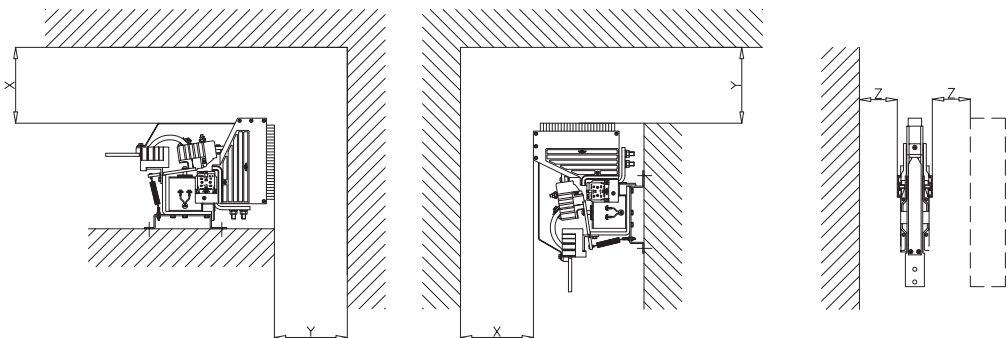
### Description

Contactor with single interruption in air, electromagnetic control by full power coil. Single state functioning. Reference standard IEC 60077.

### Electrical Characteristics

Rated Operational Voltage [V <sub>ac</sub> / V <sub>dc</sub> ]	1500	
Max Operational Voltage [V <sub>ac</sub> / V <sub>dc</sub> ]	2000	
Rated Insulation Voltage [V]	2000	
	Series Connected	Parallel Connected
Conventional Free Air Thermal Current [A] at 75°C	800	1600
DC-Rated Operational Current (τ=15ms) [A]		
1500V	2400	1440
750V	4800	2800
DC-Maximum Breaking Capacity (τ=15ms) [A]		
1500V	3000	1800
750V	6000	3500
AC-Maximum Breaking Capacity (cosφ=0,8; 50Hz) [A]		
1500V	3300	1980
750V	6600	3850
Short Circuit Withstand Capacity for 5ms [kA]	12	20
Critical Current Range [A]	<30 at 1500V <sub>dc</sub>	<50 at 1500V <sub>dc</sub>
Fault Making Capacity [kA]	7.2	12
Component Category / Operational Frequency Class	A2 / C3	
Blow Out Circuit Type	Indirect	

Minimum clearances from metal parts [mm]  
X = 80; Y = 380; Z = 30



# Switches

LTHS08002\*A03

## Mechanical Characteristics

Mechanical Endurance (cycles)	2x10 <sup>6</sup>
Shock and Vibrations (IEC61373)	Cat.1 - Class B
Weight [kg]	25.5

## Control Circuit

Control Voltage Range	0.7U <sub>c</sub> ÷ 1.25U <sub>c</sub>
Power Consumption (U <sub>c</sub> and T = 20°C) at Pick Up - when Holding [W]	60 - 60
Mechanical Operation Time (U <sub>c</sub> and T = 20°C) when Closing - Opening [ms]	280 - 45
Time Constant (L/R) at Pick Up - when Holding [ms]	193.5 - 215
Electrical Connections	Fast-On 6.35x0.8mm - Screw M4

## Auxiliary Contacts

Tips material	Solid Silver (Gold plating opt)
Rated Operational Voltage [V <sub>ac</sub> / V <sub>dc</sub> ]	250
Rated Current [A]	10 (RK=0.5)
Minimum Switching Current at 16V <sub>dc</sub> [mA]	20
Electrical Connections	Fast-On 6.35x0.8mm - Screw M4

## Environmental Conditions

Stock Temperature Range	-50°C ÷ +85°C
Operational Temperature Range	-40°C ÷ +75°C
Pollution Degree - Overvoltage Category (EN 50124-1)	PD3 / OV3
Max Altitude without Performance Derating [m]	1500

