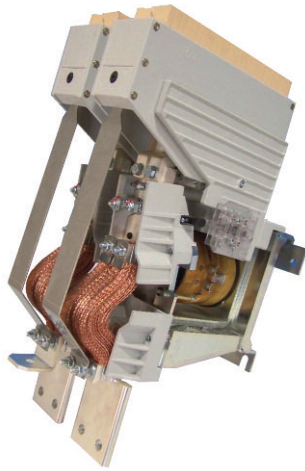


Switches



LTHS17003SAT0

Type	LTHS 1700
Number of Poles	3 NO
Mounting Position	Vertical
Control Voltage Rating	230 Vac (through rectifier)
Auxiliary Contact Blocks	2 x (1 NO + 1 NC)
Block Type	SL
Arc chute Material	Ceramic
Contact tips material	S6

Description

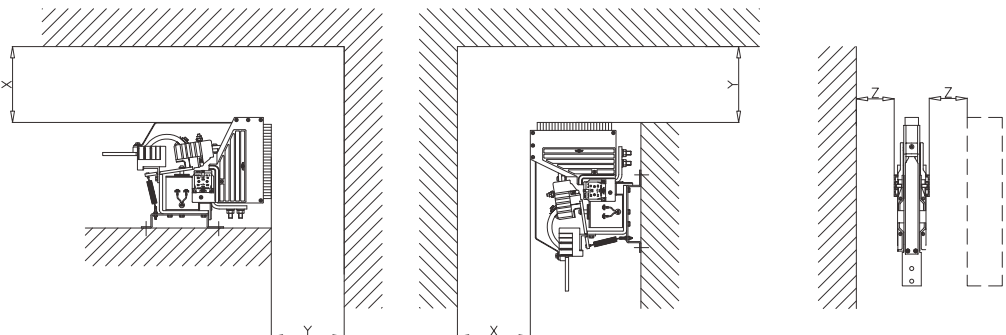
Contact single interruption in air, electromagnetic control by power save system. Single state functioning.

Reference standard IEC 60077.

Electrical Characteristics

Rated Operational Voltage [V_{ac} / V_{dc}]	1500
Max Operational Voltage [V_{ac} / V_{dc}]	2000
Rated Insulation Voltage [V]	2000
Conventional Free Air Thermal Current [A] at 75°C	1600
DC-Rated Operational Current ($\tau=15ms$) [A]	
1500V	1100
750V	2200
DC-Maximum Breaking Capacity ($\tau=15ms$) [A]	
1500V	1800
750V	3600
AC-Maximum Breaking Capacity ($\cos\phi=0,8; 50Hz$) [A]	
1500V	2200
750V	4500
Component Category / Operational Frequency Class	A2 / C3
Short Circuit Withstand Capacity for 5ms [kA]	16
Critical Current Range [A]	< 50 ($U > 1500V_{dc}$)
Fault Making Capacity [kA]	9.6
Blow Out Circuit Type	Indirect

Minimum clearances
from metal parts [mm]
X = 300; Y = 80 ; Z = 40



Switches

LTHS17003SAT0

Mechanical Characteristics

Mechanical Endurance (cycles)	2x10 ⁶
Shock and Vibrations (IEC61373)	Cat.1 - Class B
Weight [kg]	45

Control Circuit

Control Voltage Range	0.7U _c ÷ 1.25U _c
Power Consumption (U _c and T = 20°C) at Pick Up - when Holding [W]	125 - 45
Mechanical Operation Time (U _c and T = 20°C) when Closing - Opening [ms]	240 - 60
Time Constant (L/R) at Pick Up - when Holding [ms]	190 - 140
Electrical Connections	Screw M4

Auxiliary Contacts

Tips material	Solid Silver
Rated Operational Voltage [V _{ac} / V _{dc}]	250
Rated Current [A]	10
Minimum Switching Current at 16V _{dc} [mA]	20
Electrical Connections	Fast-On 6.35x0.8mm

Environmental Conditions

Stock Temperature Range	-50°C ÷ +85°C
Operational Temperature Range	-40°C ÷ +75°C
Pollution Degree - Overvoltage Category (EN 50124-1)	PD3 - OV3
Max Altitude without Performance Derating [m]	1500

