

# Switches

## LTHS17002SA00



Type	LTHS 1700
Number of Poles	2 NO
Mounting Position	Horizontal - Vertical
Control Voltage Rating [V <sub>dc</sub> ]	24 ÷ 220
Auxiliary Contact Blocks	Max 4 x (1 NO + 1 NC or 2 NO)
Block Type*	SL
Arc chute Material	Ceramic
Contact Tips Material*	S4 - S6

\* For details please refer to dedicated technical note

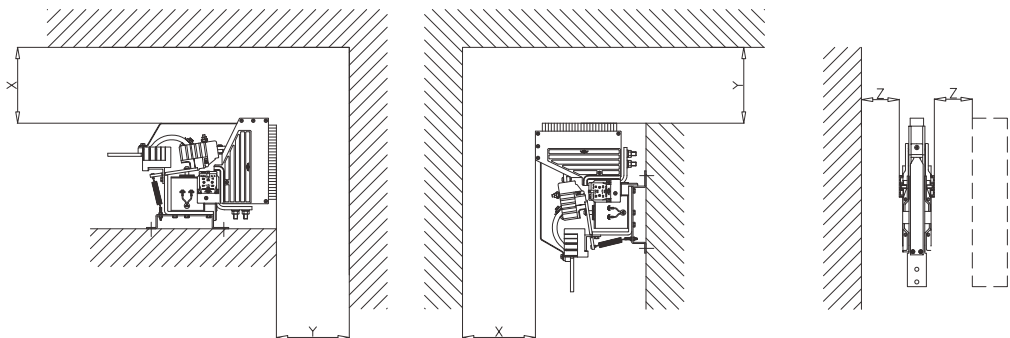
### Description

Contactor with single interruption in air, electromagnetic control by power save system. Single state functioning. Reference standard IEC 60077.

### Electrical Characteristics

Rated Operational Voltage [V <sub>ac</sub> / V <sub>dc</sub> ]	1500	
Max Operational Voltage [V <sub>ac</sub> / V <sub>dc</sub> ]	2000	
Rated Insulation Voltage [V]	2000	
	Series Connected	Parallel Connected
Conventional Free Air Thermal Current [A] at 75°C	1600	3000
DC-Rated Operational Current (τ=15ms) [A]		
1500V	2860	1700
750V	5720	3400
DC-Maximum Breaking Capacity (τ=15ms) [A]		
1500V	3500	2100
750V	7000	4200
AC-Maximum Breaking Capacity (cosφ=0,8; 50Hz) [A]		
1500V	4000	2300
750V	8000	4600
Short Circuit Withstand Capacity for 5ms [kA]	16	24
Critical Current Range [A]	<30 at 1500V <sub>dc</sub>	<50 at 1500V <sub>dc</sub>
Fault Making Capacity [kA]	12	18
Component Category / Operational Frequency Class	A2 / C3	
Blow Out Circuit Type	Indirect	

Minimum clearances  
from metal parts [mm]  
X = 80; Y = 300 ; Z = 40



# Switches

LTHS17002SA00

## Mechanical Characteristics

Mechanical Endurance (cycles)	2x10 <sup>6</sup>
Shock and Vibrations (IEC61373)	Cat.1 - Class B
Weight [kg]	40

## Control Circuit

Control Voltage Range	0.7U <sub>c</sub> ÷ 1.25U <sub>c</sub>
Power Consumption (U <sub>c</sub> and T = 20°C) at Pick Up - when Holding [W]	60 - 30
Mechanical Operation Time (U <sub>c</sub> and T = 20°C) when Closing - Opening [ms]	300 - 60
Time Constant (L/R) at Pick Up - when Holding [ms]	230 - 190
Electrical Connections	Fast-On 6.35x0.8mm - Screw M4

## Auxiliary Contacts

Tips material	Ag/Au
Rated Operational Voltage [V <sub>ac</sub> / V <sub>dc</sub> ]	250
Rated Current [A]	10
Minimum Switching Current at 16V <sub>dc</sub> [mA]	20
Electrical Connections	Fast-On 6.35x0.8mm - Screw M4

## Environmental Conditions

Stock Temperature Range	-50°C ÷ +85°C
Operational Temperature Range	-40°C ÷ +75°C
Pollution Degree - Overvoltage Category (EN 50124-1)	PD3 / OV3
Max Altitude without Performance Derating [m]	1500

