

Switches



LTCH00601*A02

Type	LTCH 60
Number of Poles	1 NO
Mounting Position	Horizontal - Vertical
Control Voltage Rating [V _{dc}]	16 ÷ 220
Auxiliary Contact Blocks	Max 2 (1 NO + 1 NC or 2 NO)
Block Type	SL
Arc chute Material	Ceramic
Contact tips material	S6

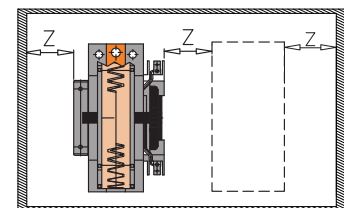
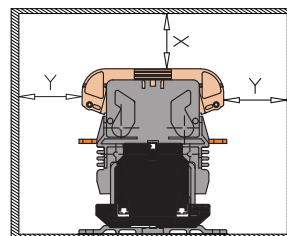
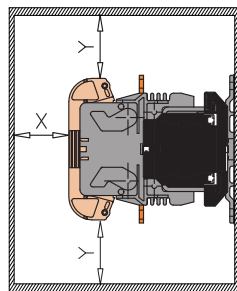
Description

Contactor with double interruption in air, electromagnetic control by full power coil. Single state functioning.
Reference standard IEC 60077.

Electrical Characteristics

Rated Operational Voltage [V _{ac} / V _{dc}]	3000
Max Operational Voltage [V _{ac} / V _{dc}]	4000
Rated Insulation Voltage [V]	4000
Conventional Free Air Thermal Current [A] at 75°C	50
DC-Rated Operational Current (τ=15ms) [A]	
3000V	20
1500V	45
DC-Maximum Breaking Capacity (τ=15ms) [A]	
3000V	35
1500V	70
AC-Maximum Breaking Capacity (cosφ=0,8; 50Hz) [A]	
3000V	50
1500V	100
Component Category / Operational Frequency Class	A2 / C3
Short Circuit Withstand Capacity for 5ms [kA]	2
Critical Current Range [A]	DC Reverse current
Fault Making Capacity [kA]	1.2
Blow Out Circuit Type	Permanent Magnet

Minimum clearances
from metal parts [mm]
X = 120; Y = 120; Z = 50



Switches

LTCH00601*A02

Mechanical Characteristics

Mechanical Endurance (cycles)	2x10 ⁶
Shock and Vibrations (IEC61373)	Cat.1 - Class B
Weight [kg]	3.2

Control Circuit

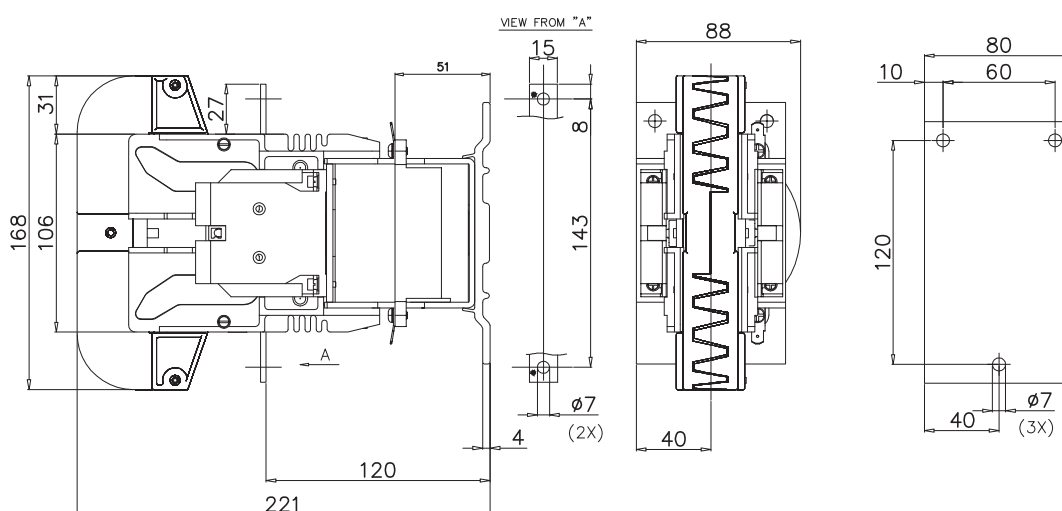
Control Voltage Range	0.7U _c ÷ 1.25U _c
Power Consumption (U _c and T = 20°C) at Pick Up - when Holding [W]	33 - 33
Mechanical Operation Time (U _c and T = 20°C) when Closing - Opening [ms]	80 - 40
Time Constant (L/R) at Pick Up - when Holding [ms]	75 - 90
Electrical Connections	Fast-On 6.35x0.8mm

Auxiliary Contacts

Tips material	Solid Silver (Gold plating opt)
Rated Operational Voltage [V _{ac} / V _{dc}]	250
Rated Current [A]	10
Minimum Switching Current at 16V _{dc} [mA]	20
Electrical Connections	Fast-On 6.35x0.8mm - Screw M4

Environmental Conditions

Stock Temperature Range	-50°C ÷ +85°C
Operational Temperature Range	-40°C ÷ +75°C
Pollution Degree - Overvoltage Category (EN 50124-1)	PD3 - OV3
Max Altitude without Performance Derating [m]	1500



Rev.03 10/2012

bitsadv.com