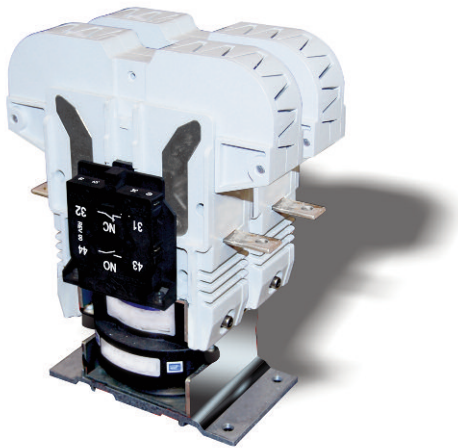


# Switches



## LTCH00602\*A01

Type	LTCH 60
Number of Poles	2 NO
Mounting Position	Horizontal - Vertical
Control Voltage Rating [V <sub>dc</sub> ]	24 ÷ 220
Auxiliary Contact Blocks	Max 2 x (1 NO + 1 NC)
Block Type*	SL
Arc chute Material	Ceramic
Contact Tips Material*	S6

\* For details please refer to dedicated technical note

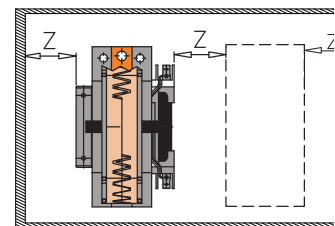
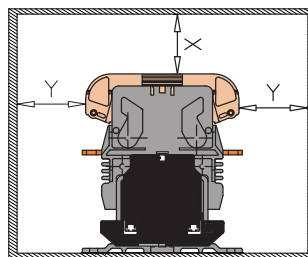
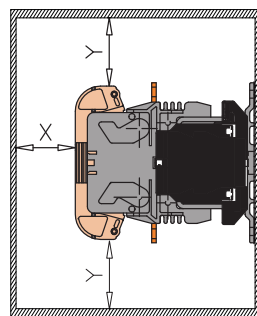
### Description

Contactor with double interruption in air, electromagnetic control by power save system. Single state functioning. Reference standard IEC 60077.

### Electrical Characteristics

Rated Operational Voltage [V <sub>ac</sub> / V <sub>dc</sub> ]	3000	
Max Operational Voltage [V <sub>ac</sub> / V <sub>dc</sub> ]	4000	
Rated Insulation Voltage [V]	4000	
	Series Connected	Parallel Connected
Conventional Free Air Thermal Current [A] at 75°C	50	100
DC-Rated Operational Current (τ=15ms) [A]		
3000V	35	20
1500V	70	45
DC-Maximum Breaking Capacity (τ=15ms) [A]		
3000V	50	35
1500V	100	70
AC-Maximum Breaking Capacity (cosφ=0,8; 50Hz) [A]		
3000V	80	50
1500V	160	100
Short Circuit Withstand Capacity for 5ms [kA]	2	4
Critical Current Range [A]	Reverse Current	
Fault Making Capacity [kA]	1.2	2.4
Component Category / Operational Frequency Class	A2 / C3	
Blow Out Circuit Type	Permanent Magnet	

Minimum clearances  
from metal parts [mm]  
X = 120; Y = 120; Z = 50



# Switches

LTCH00602\*A01

## Mechanical Characteristics

Mechanical Endurance (cycles)	2x10 <sup>6</sup>
Shock and Vibrations (IEC61373)	Cat.1 - Class B
Weight [kg]	4

## Control Circuit

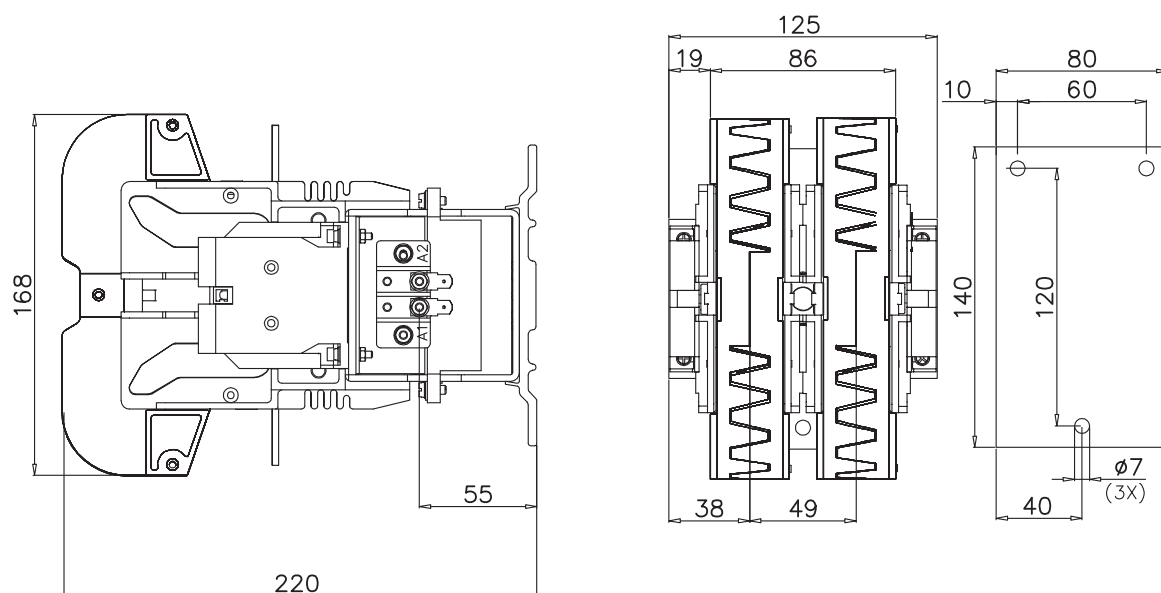
Control Voltage Range	0.7U <sub>c</sub> ÷ 1.25U <sub>c</sub>
Power Consumption (U <sub>c</sub> and T = 20°C) at Pick Up - when Holding [W]	85 - 25
Mechanical Operation Time (U <sub>c</sub> and T = 20°C) when Closing - Opening [ms]	80 - 40
Time Constant (L/R) at Pick Up - when Holding [ms]	75 - 90
Electrical Connections	Fast-On 6.35x0.8mm - Screw M4

## Auxiliary Contacts

Tips material	Solid Silver (Gold plating opt)
Rated Operational Voltage [V <sub>ac</sub> / V <sub>dc</sub> ]	250
Rated Current [A]	10
Minimum Switching Current at 16V <sub>dc</sub> [mA]	20
Electrical Connections	Fast-On 6.35x0.8mm - Screw M4

## Environmental Conditions

Stock Temperature Range	-50°C ÷ +85°C
Operational Temperature Range	-40°C ÷ +75°C
Pollution Degree - Overvoltage Category (EN 50124-1)	PD3 / OV3
Max Altitude without Performance Derating [m]	1500



Rev.03 11/2012

bitsadv.com