

Switches



LTHH10462PAS0

Type	LTP 4-600
Number of Poles	2 NO
Mounting Position	Horizontal - Vertical
Control Voltage Rating [V _{dc}]	48 ÷ 220
Auxiliary Contact Blocks	Max 8 (1 NO + 1 NC)
Block Type*	SJ - LJ
Arc chute Material	Ceramic
Contact Tips Material*	S6 - S4

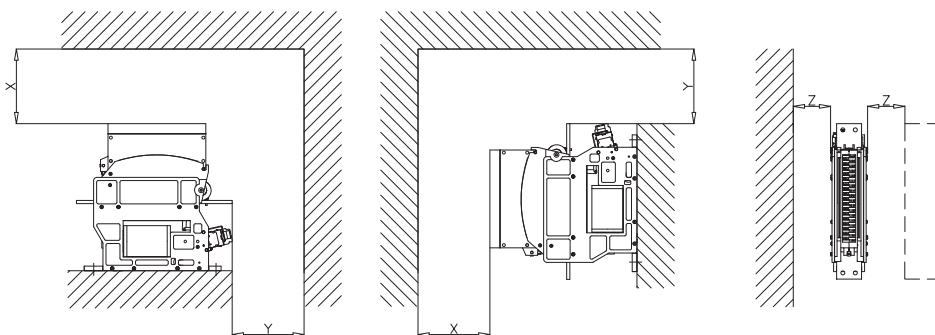
* For details please refer to dedicated technical note

Description

Contactor single interruption in air with pneumatic control system. Single state functioning.
Reference standard IEC 60077.

Electrical Characteristics		
Rated Operational Voltage [V _{ac} / V _{dc}]	3000	
Max Operational Voltage [V _{ac} / V _{dc}]	4000	
Rated Insulation Voltage [V]	4000	
	Serie Connection	Parallel Connection
Conventional Free Air Thermal Current [A]	900 (630 with S4 tips)	1700 (1200 with S4 tips)
Conventional Free Air Thermal Current [A] at 75°C	800 (560 with S4 tips)	1500 (1000 with S4 tips)
DC-Rated Operational Current (τ=15ms) [A]		
3000V	800	400
1500V	1800	900
DC-Maximum Breaking Capacity (τ=15ms) [A]		
3000V	1100	600
1500V	2400	1300
AC-Maximum Breaking Capacity (cosφ=0,8; 50Hz) [A]		
3000V	1300	700
1500V	2800	1500
Component Category / Operational Frequency Class	A2 / C3	A2 / C3
Short Circuit Withstand Capacity for 5ms [kA]	16	30
Critical Current Range [A]	<30 at 3000V _{dc}	<50 at 3000V _{dc}
Fault Making Capacity [kA]	9.6	18
Blow Out Circuit Type	Indirect	Indirect

Minimum clearances
from metal parts [mm]
X = 330; Y = 50; Z = 50



Switches

LTHH10462PAS0

Mechanical Characteristics

Mechanical Endurance (cycles)	2x10 ⁶
Shock and Vibrations (IEC61373)	Cat.1 - Class B
Weight [kg]	13.3

Control Circuit

Control Voltage Range	0.7U _c ÷ 1.25U _c
Operating Pressure Range [Mpa]	0.35 ÷ 1
Power Consumption (U _c and T = 20°C) at Pick Up - when Holding [W]	10 - 10
Mechanical Operation Time (U _c and T = 20°C) when Closing - Opening [ms]	90 - 60
Pneumatic Connection	Pipe 6mm inner diameter
Electrical Connections	Fast-On 6.35x0.8mm

Auxiliary Contacts

Tips material	Solid Silver (Gold plating opt)
Rated Operational Voltage [V _{ac} / V _{dc}]	250
Rated Current [A]	10
Minimum Switching Current at 16V _{dc} [mA]	20
Electrical Connections	Fast-On 6.35x0.8mm - Screw M3

Environmental Conditions

Stock Temperature Range	-50°C ÷ +85°C
Operational Temperature Range	-30°C ÷ +75°C
Pollution Degree - Overvoltage Category (EN 50124-1)	PD3 - OV3
Max Altitude without Performance Derating [m]	1500

