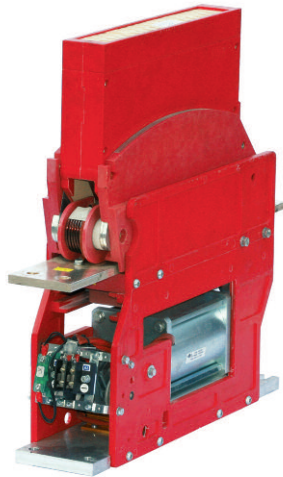


# Switches



## LTHH20041EA02

Type	LTE 4-2000
Number of Poles	1 NO
Mounting Position	Vertical
Control Voltage Rating [V <sub>dc</sub> ]	24 - 110
Auxiliary Contact Blocks	Max 5 (1 NO + 1 NC)
Block Type*	SJ - LJ
Arc chute Material	Ceramic
Contact tips material*	S6

\* For details please refer to dedicated technical note

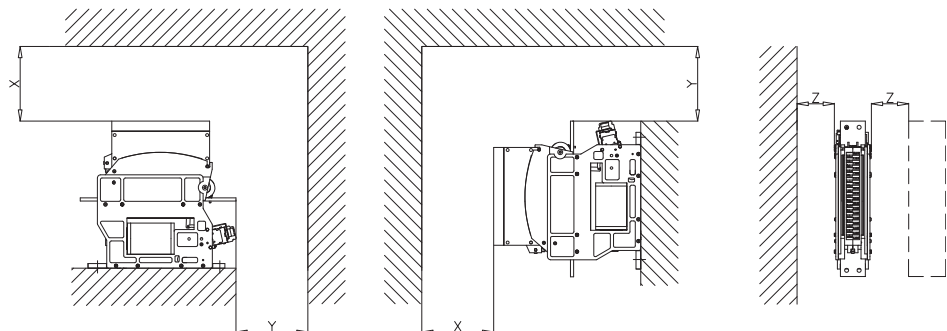
### Description

Contactor single interruption in air, electromagnetic control by power save system. Single state functioning.  
Reference standard IEC 60077.

### Electrical Characteristics

Rated Operational Voltage [V <sub>ac</sub> / V <sub>dc</sub> ]	3000
Max Operational Voltage [V <sub>ac</sub> / V <sub>dc</sub> ]	4000
Rated Insulation Voltage [V]	4000
Conventional Free Air Thermal Current [A] at 75°C	1300
DC-Rated Operational Current (τ=15ms) [A]	
3000V	800
1500V	1700
DC-Maximum Breaking Capacity (τ=15ms) [A]	
3000V	1000
1500V	2100
AC-Maximum Breaking Capacity (cosφ=0,8; 50Hz) [A]	
3000V	1200
1500V	2500
Component Category / Operational Frequency Class	A2 / C2
Short Circuit Withstand Capacity for 5ms [kA]	45
Critical Current Range [A]	< 10 (U > 3000V <sub>dc</sub> )
Fault Making Capacity [kA]	27
Blow Out Circuit Type	Indirect with arcing contact

Minimum clearances  
from metal parts [mm]  
X = 330; Y = 50 ; Z = 50



# Switches

LTHH20041EA02

## Mechanical Characteristics

Mechanical Endurance (cycles)	2x10 <sup>6</sup>
Shock and Vibrations (IEC61373)	Cat.1 - Class B
Weight [kg]	28

## Control Circuit

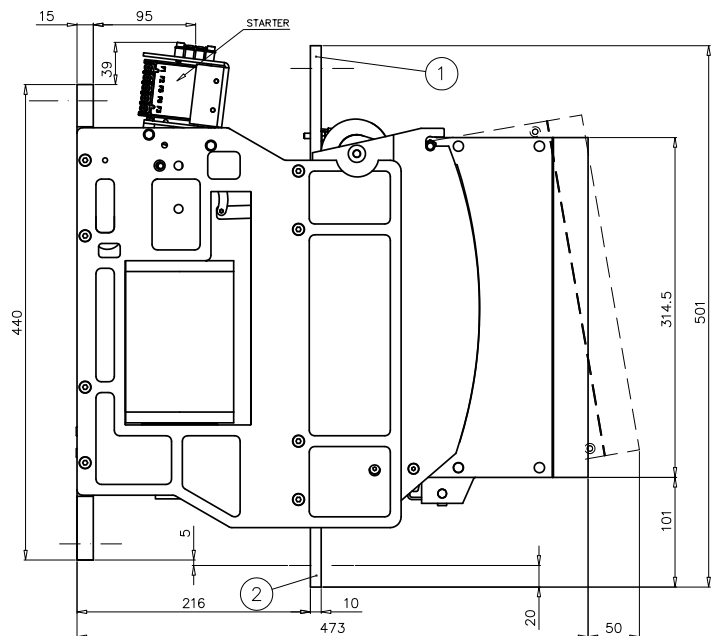
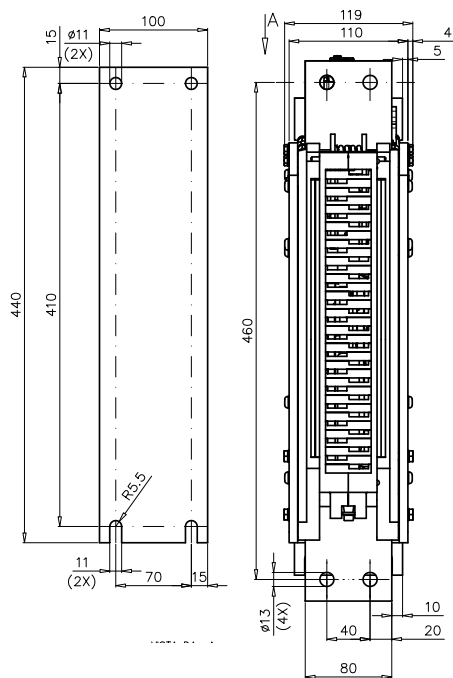
Control Voltage Range	0.7U <sub>c</sub> ÷ 1.25U <sub>c</sub>
Power Consumption (U <sub>c</sub> and T = 20°C) at Pick Up - when Holding [W]	300 - 40
Mechanical Operation Time (U <sub>c</sub> and T = 20°C) when Closing - Opening [ms]	150 - 30
Time Constant (L/R) at Pick Up - when Holding [ms]	250 - 100
Electrical Connections	Fast-On 6.35x0.8mm - Screw M4

## Auxiliary Contacts

Tips material	Solid Silver (Gold plating opt)
Rated Operational Voltage [V <sub>ac</sub> / V <sub>dc</sub> ]	250
Rated Current [A]	10
Minimum Switching Current at 16V <sub>dc</sub> [mA]	20
Electrical Connections	Fast-On 6.35x0.8mm - Screw M3

## Environmental Conditions

Stock Temperature Range	-50°C ÷ +85°C
Operational Temperature Range	-40°C ÷ +75°C
Pollution Degree - Overvoltage Category (EN 50124-1)	PD3 - OV3
Max Altitude without Performance Derating [m]	1500



Rev.00.01/2012

bitsadv.com