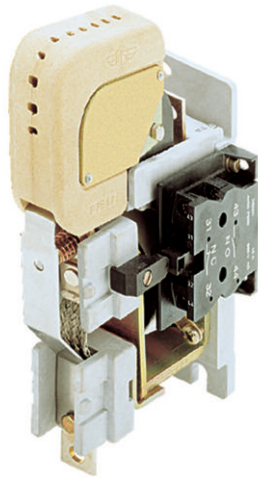


# Switches



## LTHS00601\*A00

Type	LTHS 60
Number of Poles	1 NO
Mounting Position	Horizontal - vertical
Control Voltage Rating [V <sub>dc</sub> ]	24 ÷ 220
Auxiliary Contact Blocks	Max 4 (1 NO + 1 NC or 2 NO)
Block Type*	SK - SL - LP - RK
Arc chute Material	Ceramic
Contact tips material*	S6

\* For details please refer to dedicated technical note

### Description

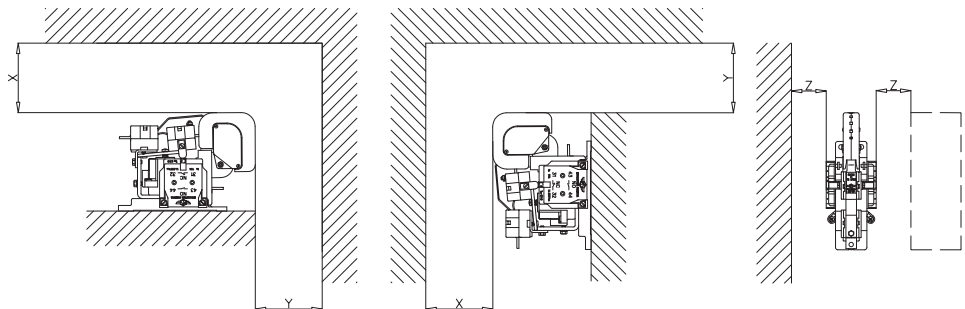
Contact with single interruption in air, electromagnetic control by full power coil. Single state functioning.

Reference Standard IEC 60077

### Electrical Characteristics

Rated Operational Voltage [V <sub>ac</sub> / V <sub>dc</sub> ]	750
Max Operational Voltage [V <sub>ac</sub> / V <sub>dc</sub> ]	1000
Rated Insulation Voltage [V]	1000
Conventional Free Air Thermal Current [A] at 75°C	60
DC-Rated Operational Current (τ=15ms) [A]	
750V	60
400V	115
DC-Maximum Breaking Capacity (τ=15ms) [A]	
750V	100
400V	190
AC-Maximum Breaking Capacity (cosφ=0,8; 50Hz) [A]	
750V	110
400V	200
Component Category / Operational Frequency Class	A2 / C3
Short Circuit Withstand Capacity for 5ms [kA]	3
Critical Current Range [A]	< 5 (U > 750V <sub>dc</sub> )
Fault Making Capacity [kA]	1.8
Blow Out Circuit Type	Indirect

Minimum clearances  
from metal parts [mm]  
X = 80; Y = 80 ; Z = 20



# Switches

LTH500601\*A00

## Mechanical Characteristics

Mechanical Endurance (cycles)	2x10 <sup>6</sup>
Shock and Vibrations (IEC61373)	Cat.1 - Class B
Weight [kg]	1.6

## Control Circuit

Control Voltage Range	0.7U <sub>c</sub> ÷ 1.25U <sub>c</sub>
Power Consumption (U <sub>c</sub> and T = 20°C) at Pick Up - when Holding [W]	13 - 13
Mechanical Operation Time (U <sub>c</sub> and T = 20°C) when Closing - Opening [ms]	55 - 15
Time Constant (L/R) at Pick Up - when Holding [ms]	40 - 50
Electrical Connections	Fast-On 6.35x0.8mm - Screw M4

## Auxiliary Contacts

Tips material	Solid Silver (Gold plating opt)
Rated Operational Voltage [V <sub>ac</sub> / V <sub>dc</sub> ]	250
Rated Current [A]	10 (RK= 0.5)
Minimum Switching Current at 16V <sub>dc</sub> [mA]	20
Electrical Connections	Fast-On 6.35x0.8mm - Screw M4

## Environmental Conditions

Stock Temperature Range	-50°C ÷ +85°C
Operational Temperature Range	-40°C ÷ +75°C
Pollution Degree - Overvoltage Category (EN 50124-1)	PD3 - OV3
Max Altitude without Performance Derating [m]	1500

